

# KENWOOD

7-inch TOUCH PANEL WIDE TELEVISION

## **LZ-700W** **INSTRUCTION MANUAL**

KENWOOD CORPORATION

**Take the time to read through this instruction manual.  
Familiarity with installation and operation procedures will help you obtain the  
best performance from your new television.**

**For your records**

Record the serial number, found on the back of the unit, in the spaces designated on the warranty card, and in the space provided below. Refer to the model and serial numbers whenever you call upon your KENWOOD dealer for information or service on the product.

Model LZ-700W Serial number \_\_\_\_\_

# C O C N O T N E T N E T N S T S



3	Safety Precautions
5	Notes on Operation
6	Names of Parts on Monitor/Hideaway Unit
8	Button Operations of the Monitor Unit (Functions of Each Operation Button)
10	Touch Panel Screen Operations (Functions of Touch Panel)
12	Using TV Control Functions (Operating the TV Tuner)
14	Using Setup Functions (Setting Each Function)
16	Using Screen Control Functions (Adjusting Picture Quality)
17	Troubleshooting Guide
18	Installation Procedure
19	Installation
22	Connections
26	Specifications




The operation screens shown in this instruction manual have been created for descriptive purposes only. The shape and appearance of on-screen keys and letters differs from an actual display.

**KENWOOD 7-inch WIDE COLOR LCD TELEVISION LZ-700W**

# Safety precautions

 <b>Warning</b>	This label indicates that improper handling from ignoring this label may result in serious injury or death.
 <b>Caution</b>	This label indicates that improper handling from ignoring this label may result in physical injury or property damage.

 <b>Warning</b>
<b>This video unit is set for rear passenger use only. Use of this video unit in any front seat and/or where it may be visible to the driver may be illegal in some states and may cause driver distraction and accident which could injure or kill you.</b>
Do not use this hardware with a 24-V vehicle such as a large truck or diesel vehicle with cold-weather specifications as it may result in fire. This product is intended only for vehicles having 12V DC with negative ground.
Be sure to disconnect the negative battery terminal during wiring. Failure to do so may result in electric shock or injury due to an electrical short.
Be absolutely sure to wire this product as described in the instruction manual. Improper wiring may result in a fire or other accident.
Never bare the cable of this product to supply power to other devices as exceeding the current capacity of the lead wire may result in fire or electric shock.
Do not install this product on or near an airbag device. This may result in injury when the airbag deploys due to the product coming loose and striking someone.
If holes are to be drilled in the vehicle for installation, be sure to check the location of pipes, tanks and electrical wiring so as not to strike or contact such locations as this may result in fire.
Be sure to use the supplied installation accessories when installing this product. Failure to use the supplied installation accessories may damage the product internally leading to fire due to an electrical short. There is also a risk of injury if the product comes loose due to improper installation and strikes someone while the vehicle is moving.
Be sure to wrap any cables passing near metallic parts of the vehicle in protective tape as there is a risk of fire due to electrical short if the cable becomes severed.
Do not attach the ground wire to the nuts or bolts of important safety mechanisms such as the steering mechanism or brake system as this may result in an accident.

## **Warning**

Do not extend with anything other than automotive power cables as the covering on other cables may break easily leading to fire due to electrical short or overheating. Also, there is a risk of fire if the current capacity of the cable is exceeded.

After completely installing the product, check that all electrical systems on the vehicle such as brake lights, head lights, turn signals and windshield wipers operate properly. If any of these system are malfunctioning, reinstall this product so that they operate properly.

If the fuse on the cable connecting this product or the vehicle's fuse should blow, first check that the cable has not shorted and then replace the fuse with another having the same rating (number of amperes). Use of a fuse having a different rating may result in fire.

To prevent accident, store all small objects such as screws out of the reach of small children. If any parts are swallowed, contact a physician immediately.

Keep the volume during driving at a level where you can hear noises outside the vehicle.

Do not use this product if it is broken such as when there is no picture or sound as continued use may result in accident, fire or electrical shock.

## **Caution**

The installation and wiring of this product requires specialized training and experience. For safety reasons, please ask your dealer concerning installation.

Do not drop or forcefully strike products which use glass parts as they may break and cause injury.

Do not touch the liquid crystal if a product which uses liquid crystal breaks due to impact as it poses a health risk. If liquid crystal adheres to your hands or legs or on your clothes, immediately wash it off with soap.

Do not use this product for any purpose other than use in a vehicle.

## **FCC WARNING**

This equipment may generate or use radio frequency energy. Changes or modifications to this equipment may cause harmful interference unless the modifications are expressly approved in the instruction manual. The user could lose the authority to operate this equipment if an unauthorized change or modification is made.

# Notes on Operation

## ❖ For safe driving

You cannot view television or video images while the vehicle is moving. To enjoy video images, find a safe place to park and engage the parking brake.

## ❖ To prevent draining the battery

Using this monitor with the engine off and the ignition key turned to ON or ACC will cause the battery to drain. Be sure to use this monitor with the engine on.

## ❖ Storing and caring for the monitor

- Do not leave the TV unit in a hot location.
- If the screen becomes dirty, wipe it with the supplied cleaning cloth or a soft cloth. Wiping the screen with a hard cloth or with a caustic agent such as thinner or alcohol may scratch the screen, cause painted surfaces to peel or remove lettering.
- To prevent accidental dropping, occasionally check that the monitor unit is fixed firmly in the stand.

## ❖ Touch panel malfunctions

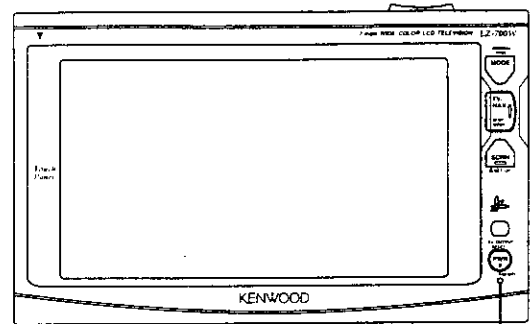
The touch panel may malfunction when direct sunlight strikes the touch panel screen.

## ❖ Screen brightness during low temperatures

When the temperature of the unit falls such as during winter, the liquid crystal panel's screen will become darker than usual. Normal brightness will return after using the monitor for a while.

## ❖ Reset button

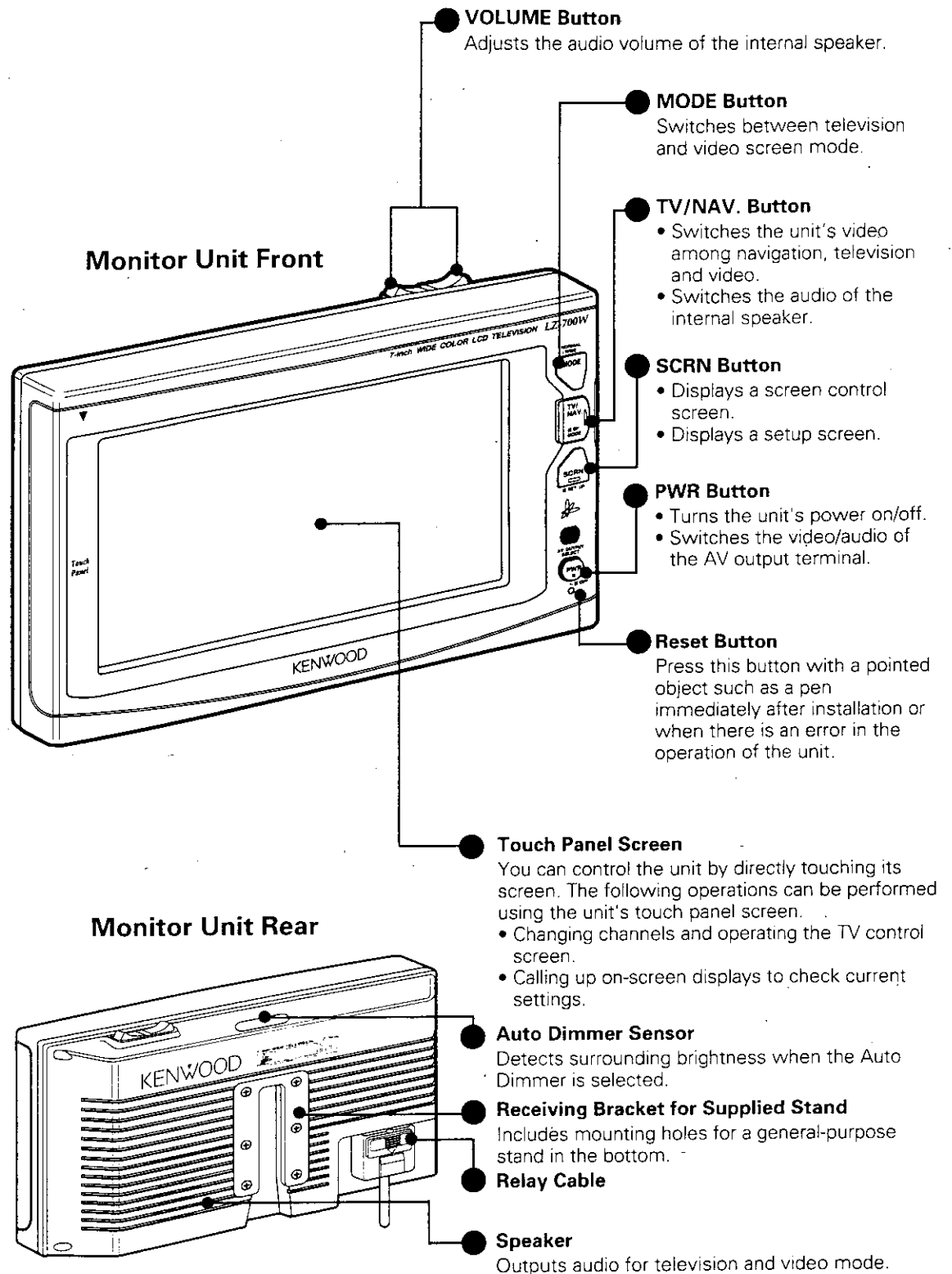
Be sure to press the reset button with a pointed implement such as a ball-point pen when using the unit for the first time or after connecting or replacing the battery.



RESET BUTTON

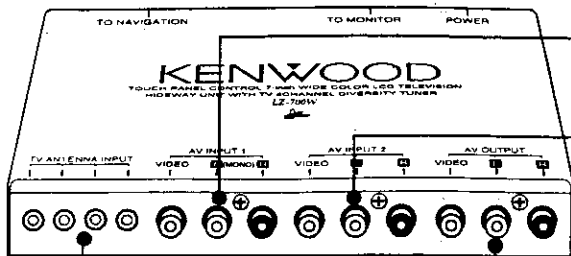
## Names of Parts on Monitor/Hideaway Unit

For detailed descriptions of the operation of each button and the touch panel, see pages 10 through 18.



**Antenna Input Terminals**  
 Connects to the TV antenna supplied with the unit.

**Hideaway Unit Front**



**AV INPUT1 (mono audio compatible)**  
 Allows the input of external AV equipment.

**NOTE** Connect navigation systems to this terminal.

**AV INPUT2**  
 Allows the input of external AV equipment.

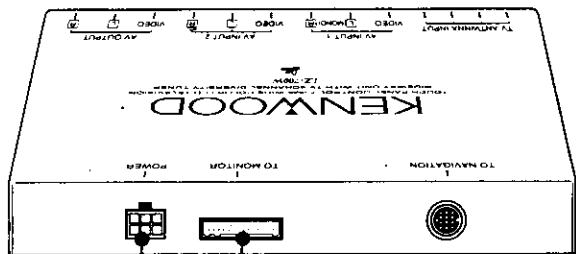
**AV OUTPUT**  
 Allows you to enjoy television or video images on another monitor connected to these terminals.  
 (Even while the vehicle is moving.)

**CAUTION**

Do not install the monitor unit in a spot where it may be visible to the driver.

**NOTE** Connecting the audio output to a car stereo with an AUX terminal allows you to listen to this unit's audio through the car stereo.

**Hideaway Unit Rear**



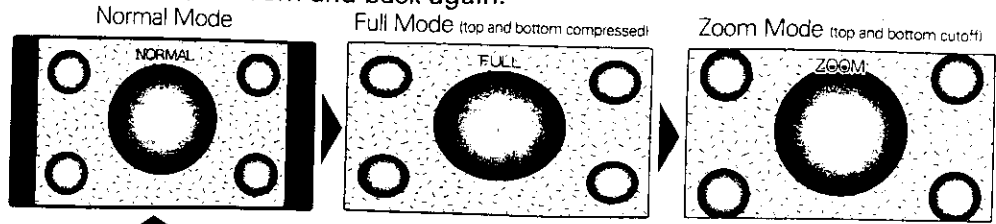
**Relay Cable Connection Terminal**  
 This terminal is for connecting the monitor unit and hideaway unit with the relay cable supplied with the unit.

**Power Cable Connection Terminal**  
 Connects to the connector of the power cable supplied with the unit.

MODE

### Switching screen modes

- Each time the MODE button is pressed, the screen mode switches from normal, to full, to zoom and back again.

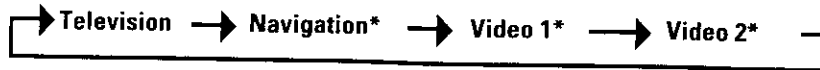


**NOTE** Pixels will become rough in zoom mode, reducing picture quality.

TV/NAV.  
SP MODE

### Switching monitor video

- Each time the TV/NAV. button is pressed, the video will switch from television, to navigation, to video 1, to video 2 and back again.



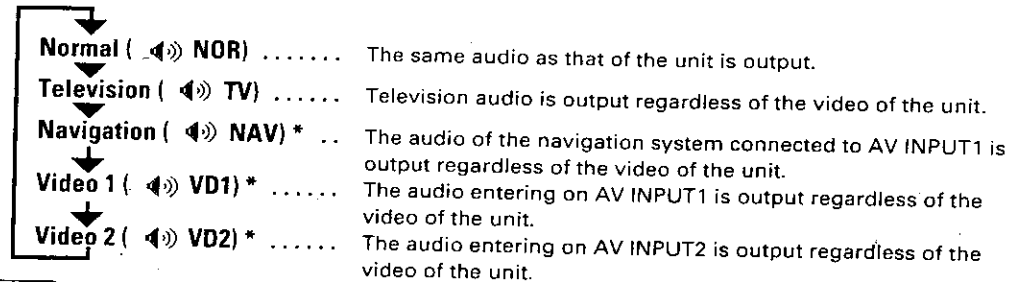
- NOTE**
- The audio/video marked with an asterisk (\*) may be added depending on settings on the setup screen. (See page 14 and 15.)
  - If <NAVIGATION> is not selected on the setup screen, \*NAVIGATION OFF\* will be displayed when the TV/NAV. button is switched.

### CAUTION

You cannot view television or video images while the vehicle is moving. To enjoy video images, find a safe place to park and engage the parking brake.

### Switching speaker audio

- Each time the TV/NAV. button is pressed for one second or more, the audio of the internal speaker will be switched as given below and the current setting will be displayed.



**NOTE** The audio/video marked with an asterisk (\*) may be added depending on settings on the setup screen. (See page 14 and 15.)

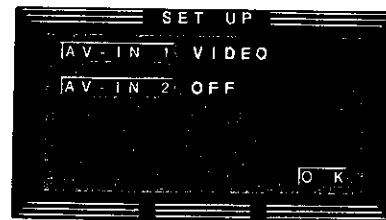
SCRN

### Using the screen control and setup functions (See pages 14 to 16.)

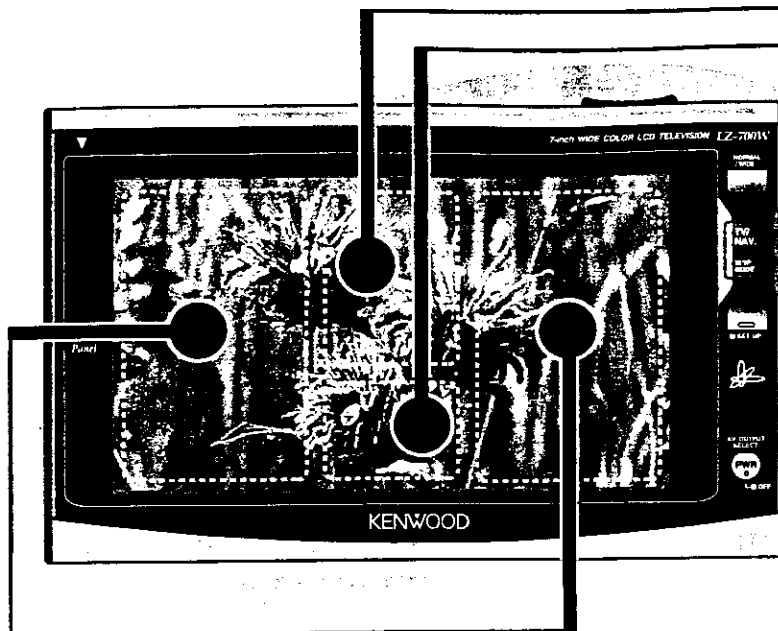
- Pressing the SCRN button will display the screen control screen, allowing the following operations.
  - Adjusting picture quality
  - Turning the auto timer function on/off



- Pressing the SCRN button for one second or more will display the setup screen, allowing the following operations.
  - Conditional settings for switching video/audio







## Select the channel

Touching the left part of the screen selects the channel in the manner corresponding to the current channel selection mode.

- **When auto seek is set**  
Searches for the nearest channel which can be received below the current one when this part of the screen is touched.
- **When preset seek is set**  
Switches to the channel having a lower preset number each time this part of the screen is touched.
- **When manual seek is set**  
Goes down one channel each time this part of the screen is touched.

Touching the right part of the screen selects the channel in the manner corresponding to the current channel selection mode.

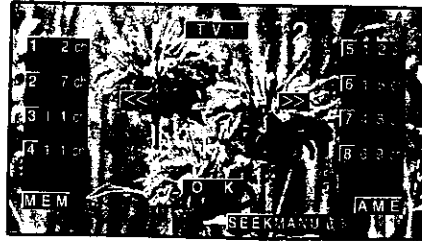
- **When auto seek is set**  
Searches for the nearest channel which can be received above the current one when this part of the screen is touched.
- **When preset seek is set**  
Switches to the channel having a higher preset number each time this part of the screen is touched.
- **When manual seek is set**  
Goes up one channel each time this part of the screen is touched.

**NOTE** The channel selection mode can be selected on the TV control screen. (See page 12 and 13.)



### Using the TV control functions (See page 12 and 13.)

Touching the upper middle part of the television video screen will display the TV control screen, allowing the following operations.

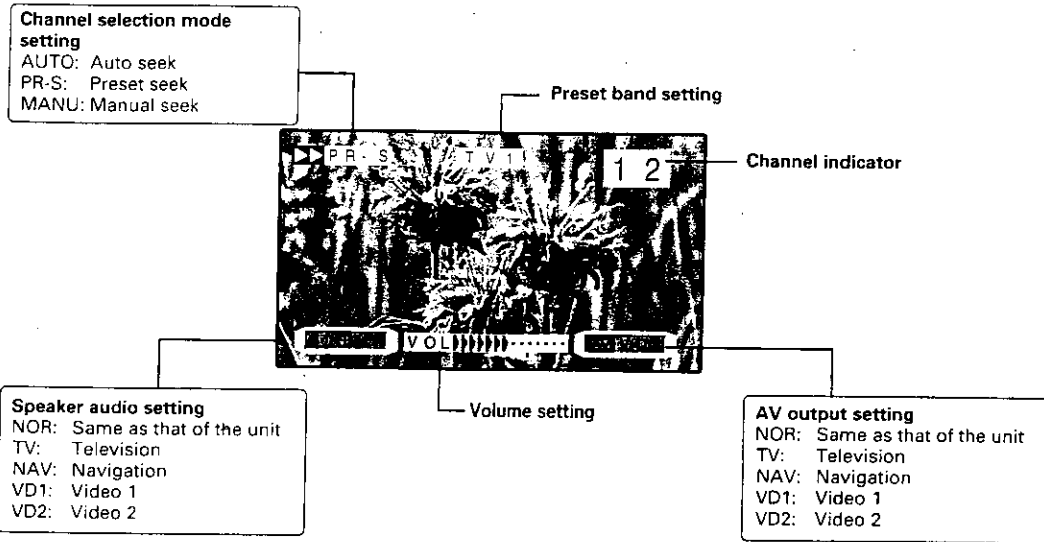


- Selecting preset bands
- Selecting the channel selection mode
- Registering channels
- Switching the main/sub audio of a multichannel audio broadcast



### Checking current settings on-screen

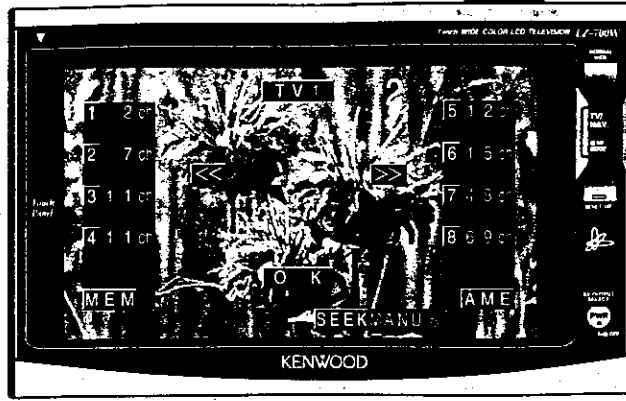
Touching the lower middle part of the television video screen or touching the video video screen will cause all current settings to be displayed on-screen.



**NOTE**

- The on-screen display will be automatically canceled after five seconds or when the lower middle part of the TV video screen is touched or the same part of the video video screen is touched.
- The on-screen display can also be displayed using the TV/NAV., PWR and VOLUME buttons.

# Using TV Control Functions



**Touching the upper middle of the screen during TV video will cause the TV control screen to be displayed.**

## Switching preset bands

**TV 1**

Each time this area is pressed, the preset band will switch between TV1 and TV2.

## Switching channel selection modes

**SEEK**

Each time this area is pressed, the channel selection mode will be switched in the order given below.



## Selecting channels

**<< >>**

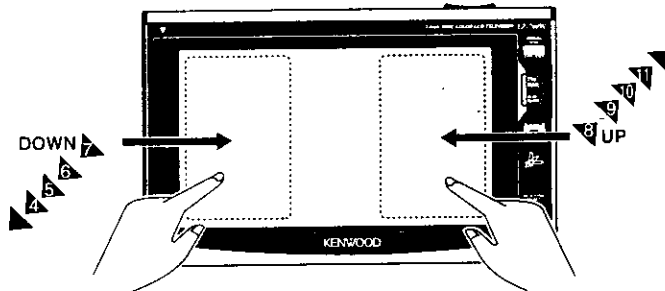


- **When auto seek is set**  
Searches for the nearest channel which can be received below the current one when this part of the screen is touched.
- **When preset seek is set**  
Switches to the channel having a lower preset number each time this part of the screen is touched.
- **When manual seek is set**  
Goes down one channel each time this part of the screen is touched.



- **When auto seek is set**  
Searches for the nearest channel which can be received above the current one when this part of the screen is touched.
- **When preset seek is set**  
Switches to the channel having a higher preset number each time this part of the screen is touched.
- **When manual seek is set**  
Goes up one channel each time this part of the screen is touched.

**NOTE** Touching the left part of the TV video screen has the same function as touching **<<** and touching the right part has the same function as **>>**.



 **Storing only channels you want to view in memory** **MEM** **1** • • • **8**

1. Select the preset band you want to store in memory from TV1 or TV2.
2. Select the channel you want to store in memory using auto seek or manual seek.
3. Touch **MEM**.
4. Touch the number you want to store the channel in from the blinking numbers **1** through **8**.  
The channel currently being received will be stored in memory under the number touched.

 **Calling up a preset channel** **1** • • • **8**

Touching any of the numbers will call up the channel stored in memory under that preset number.

 **Automatically storing channels in memory (Auto Memory)** **AME** **<<** **>>**

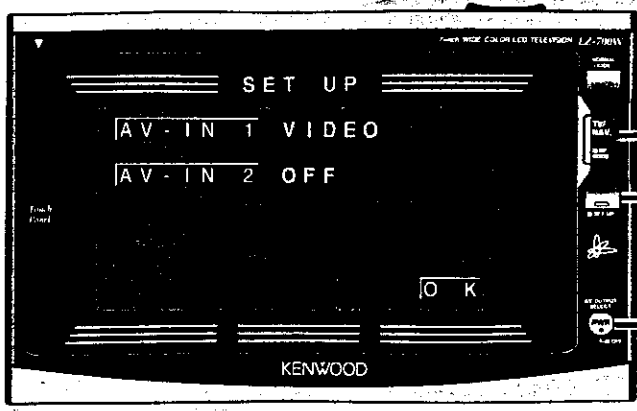
1. Select the preset band you want to store in memory from TV1 or TV2.
2. Touch **AME**.
3. Auto Memory will start if you touch either **<<** or **>>** which will be blinking.  
Up to 8 currently receivable channels can be automatically stored in memory for each preset band.

 **Canceling the TV control screen** **O K**

Touching **O K** will cancel the TV control screen.

- NOTE**
- The TV control screen will be automatically canceled if there have been no operations for five seconds.
  - The TV control screen can also be canceled using the TV/NAV. or MODE buttons.

# Using Setup Functions

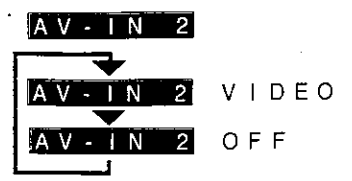
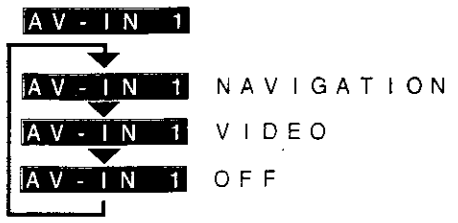


 Pressing the SCRN button for one second or more will cause the setup screen to be displayed.

## Setting AV input

**AV-IN 1**    **AV-IN 2**

Each time either of these on-screen buttons is touched will switch the AV INPUT 1 and AV INPUT 2 setting as given below. This will set the video/audio switched to when the TV/NAV. and PWR buttons are pressed. (For details, see the right of this page.)



**CAUTION**

If a navigation system is connected to AV INPUT 1, be sure to set it to <NAVIGATION>.

Video and/or audio will be switched as given below depending on the AV input setting.

**Video switching of the monitor unit**

Each time the TV/NAV. button is pressed, the unit's video will be switched as given below.

AV-IN 1 Setting	AV-IN 2 Setting	Switching of the Monitor Unit's Video
NAVIGATION	VIDEO	Television ▶ Navigation (AV INPUT 1) ▶ Video 2
NAVIGATION	OFF	Television ▶ Navigation (AV INPUT 1)
VIDEO	VIDEO	Television ▶ Video 1 ▶ Video 2
VIDEO	OFF	Television ▶ Video 1
OFF	VIDEO	Television ▶ Video 2
OFF	OFF	Television

**NOTE** If <NAVIGATION> is not selected for AV-IN 1, "NAVIGATION OFF" will be displayed when video is switching using the TV/NAV. button.

**Audio switching of the speaker**

Each time the TV/NAV. button is pressed for one second or more, the audio of the speaker will be switched as given below.

AV-IN 1 Setting	AV-IN 2 Setting	Switching of the Speaker's Audio
NAVIGATION	VIDEO	Normal ▶ Television ▶ Navigation (AV INPUT 1) ▶ Video 2
NAVIGATION	OFF	Normal ▶ Television ▶ Navigation (AV INPUT 1)
VIDEO	VIDEO	Normal ▶ Television ▶ Navigation (MUTE) ▶ Video 1 ▶ Video 2
VIDEO	OFF	Normal ▶ Television ▶ Navigation (MUTE) ▶ Video 1
OFF	VIDEO	Normal ▶ Television ▶ Navigation (MUTE) ▶ Video 2
OFF	OFF	Normal ▶ Television ▶ Navigation (MUTE)

**Video/audio switching of the AV output**

Each time the PWR button is pressed, the video of the AV output will be switched as given below.

AV-IN 1 Setting	AV-IN 2 Setting	Switching of the AV Output's Video
NAVIGATION	VIDEO	Normal ▶ Television ▶ Navigation (AV INPUT 1) ▶ Video 2
NAVIGATION	OFF	Normal ▶ Television ▶ Navigation (AV INPUT 1)
VIDEO	VIDEO	Normal ▶ Television ▶ Navigation (MUTE) ▶ Video 1 ▶ Video 2
VIDEO	OFF	Normal ▶ Television ▶ Navigation (MUTE) ▶ Video 1
OFF	VIDEO	Normal ▶ Television ▶ Navigation (MUTE) ▶ Video 2
OFF	OFF	Normal ▶ Television ▶ Navigation (MUTE)

**Canceling the setup screen**



Touching **OK** will cancel the setup screen.

**NOTE** The setup screen will be automatically canceled if there have been no operations for ten seconds.



Pressing the **SCRN** button will cause the screen control screen (screen adjustment mode) to be displayed on the video screen.

### Adjusting picture quality

There are **▲** and **▼** buttons to adjust BRT (brightness), COL (color), TIN (tint) and DIM (evening dimmer). Each time **▲** or **▼** is touched for any of these items the corresponding level is adjusted.

#### **BRT** [Brightness]

This can be adjusted between -8 to +8 in steps of 1.

- ▲** The screen gets brighter.
- ▼** The screen gets darker.

#### **COL** [Color]

This can be adjusted between -8 to +8 in steps of 1.

- ▲** The screen color gets deeper.
- ▼** The screen color gets paler.

#### **DIM** [Evening Dimmer]

This can be adjusted to any one of three levels.

- ▲** The screen gets brighter.
- ▼** The screen gets darker.

#### **TIN** [Tint]

This can be adjusted between -8 to +8 in steps of 1.

- ▲** Green is intensified.
- ▼** Red is intensified.

- NOTE**
- Separate picture quality levels can be stored in memory for the television screen, video screen and navigation screen.
  - If the illumination cable is not connected and the vehicle's light is off, DIM (evening dimmer) cannot be adjusted if the auto dimmer function is on.

### Automatically adjusting the brightness of the backlight (Auto Dimmer) **D. MODE**

Each time **D. MODE** is pressed, the dimmer mode will switch between AUTO (automatic) and MANU (manual). Backlight brightness is automatically adjusted to one of 17 levels according the surrounding brightness as detected by the auto dimmer sensor of the monitor unit.

**D. MODE AUTO**

**D. MODE MANU**

Backlight brightness is adjusted using the picture quality adjustment **DIM**.

- NOTE** The auto dimmer is not linked to the vehicle's light being on or off.

### Canceling the screen control screen

Touching **O K** will cancel the screen control screen.

- NOTE**
- The screen control screen will be automatically canceled if there have been no operations for five seconds.
  - The screen control screen will also be canceled if any buttons are pressed.

# Troubleshooting Guide

There are situations where you may think the unit is broken merely due to a mistaken operation or incorrect wiring. Please check the following items before requesting repairs.

Symptom ▼	Cause ▼	Treatment ▼
<b>Power will not come on.</b>	Fuse is blown.	Check that none of the cables are shorted and replace with a fuse of the same rating.
<b>No television/video image appears.</b>	The unit is not wired to the parking brake detection switch.	Make proper connections according to "Connections" on page 22.
	The parking brake is not engaged.	For safety reasons no television or video images are displayed while the vehicle is moving. Engaging the parking brake will cause images to be displayed.
<b>Television reception is poor.</b>	The antenna is not connected.	Properly connect the TV antenna to the hideaway unit.
	You are in a location where reception is poor.	Move to a location with better reception.
	There is interference from computer equipment such as found in the navigation system.	Separate the navigation system from the unit as far as possible.
<b>The navigation video connected to AV INPUT 1 is not displayed.</b>	The AV input setting on the setup screen is incorrect.	Set AV INPUT 1 to "NAVIGATION" according to "Using Setup Functions" on page 14.
<b>The screen is dark.</b>	The unit is in a location where temperature is low.	If the temperature of the monitor unit drops, the screen may appear darker when power is first turned on due to the characteristics of a liquid crystal panel. Wait a while after turning power on for the temperature to rise. Normal brightness will return.
<b>The screen does not darken when the vehicle's lights are turned on.</b>	The unit is set to auto dimmer.	When the unit is set to auto dimmer, it is not linked to the vehicle's light switch.
	The illumination cable has not been wired. (If manual dimmer is set)	Make proper connections according to "Connections" on page 22.
<b>AM/FM radio reception is poor and/or there is noise.</b>	The TV antenna and vehicle's radio antenna are too close	<ul style="list-style-type: none"> <li>● Separate the two antennas as far as possible.</li> <li>● Turn off the unit.</li> </ul>



# Installation procedure

## ⚠ WARNING

This video unit is set for rear passenger use only. Use of this video unit in any front seat and/or where it may be visible to the driver may be illegal in some states and may cause driver distraction and accident which could injure or kill you.

- This product is intended for use with 12V DC negative ground power only. Do not connect it to any other power supply
- To prevent shorting, disconnect the battery cable from the negative terminal of the battery during installation.
- Be sure to firmly stabilize this product. Do not install it in a location which is not stable.
- Follow the installation and wiring procedures described in this manual. Improper wiring or modified installation can not only result in malfunction or damage to the unit but may also result in an accident.
- **Do not install the unit in the following locations.**
  - A location which interferes with the operation of the air bag system.
  - A location which is not made of plastic.
    - ➔ Installing on leather, wood or cloth may damage the surface.
  - A location subject to direct sunlight, subject to the air from the air conditioner, or subject to moisture or high temperature.
    - ➔ This may cause deformation of the monitor unit.
- **Be sure to use the supplied screws for installation.**

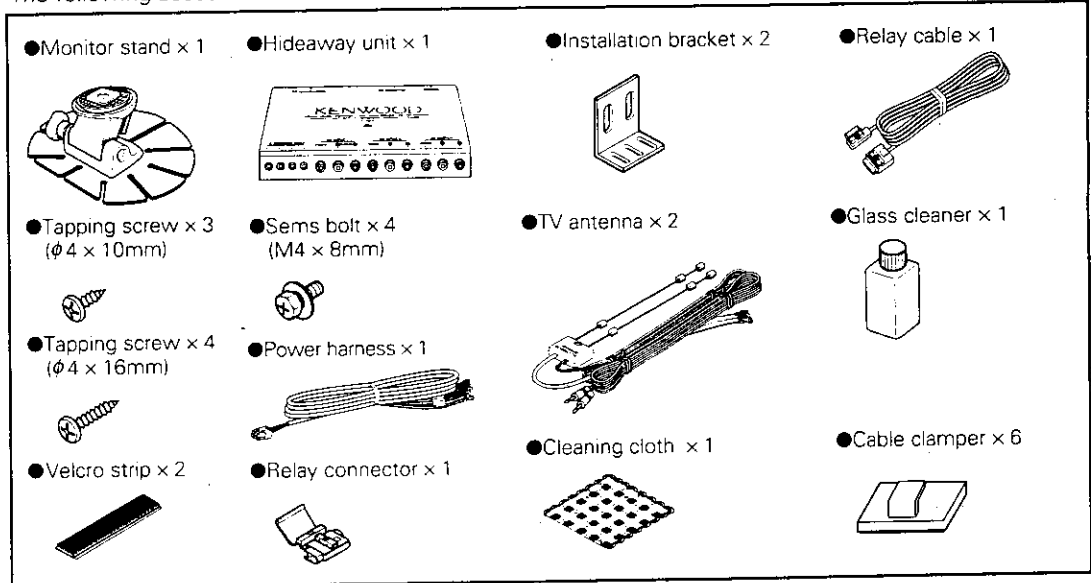
Using screws longer than those supplied may destroy parts inside the unit causing it to smoke. Using screws shorter than those supplied may cause the unit to come loose from the installation bracket.

## ⚠ CAUTION

- If you are not going to install the unit using the supplied monitor stand, be sure to use a commercially available TV stand. (Mounting holes for such a stand are located on the bottom of the monitor unit.)
- Attach the TV antenna to the rear windshield. Attach it securely after first wiping away any greasy residue and/or dirt from the glass surface using the supplied glass cleaner.
- If the TV antenna and car stereo antenna are too close, there may be interference with AM/FM reception. Separate the two antennas as much as possible.

## ❖ List of Accessories

The following accessories are included with this unit. Check that all parts are present before installing.



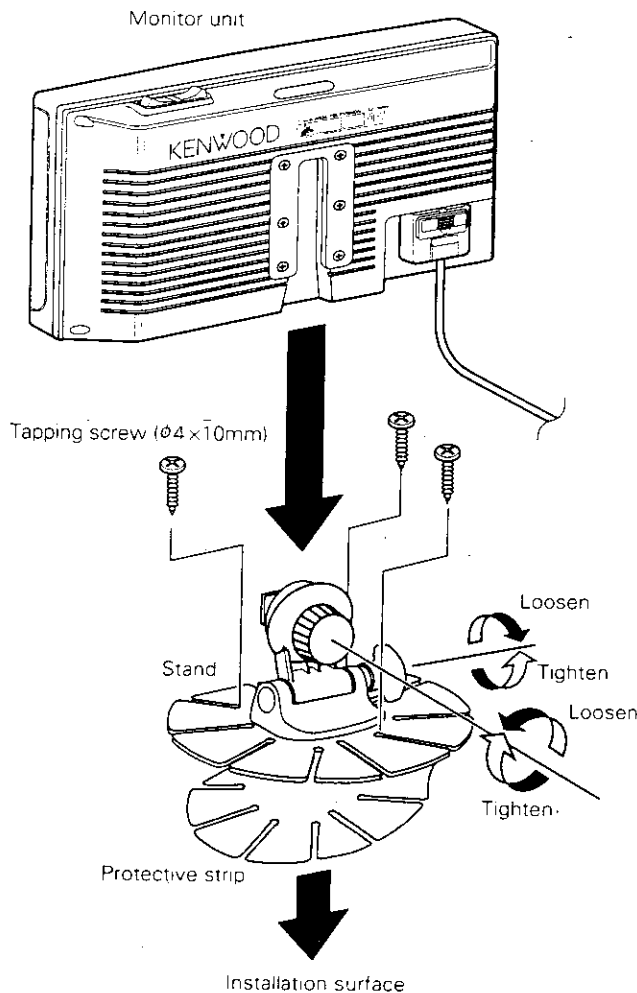
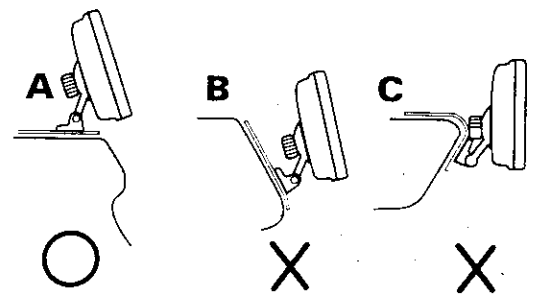
## ■ Installing the Monitor Unit

### Installation location and cleaning

Select for installation a location where the stand can be placed completely horizontal or where the front edge of the support (petal-shaped part) can be attached horizontally as shown in Figure **A**.

Do not install in locations where the entire support is at a diagonal such as in Figure **B** or where the monitor unit is facing down such as in Figure **C**.

Thoroughly wipe away and dust or grease from the installation location using a cloth which has been soaked in a neutral cleaning agent and wrung out. Attach the stand after allowing the installation location to dry.



1. Bend the stand support to conform to the shape of the installation location. Adjust the shape of the support so that there is no rattling or gap when the stand is placed on the support.

2. Peel off the protective strip from the double-sided tape on the bottom of the stand and securely attach the stand.

#### CAUTION

- Do not attach the double-sided tape more than once or touch the adhesive with your fingers as this will weaken its adhesive strength.
- If the temperature of the surface of the installation location is low, warm it up using a heater or other means before attaching the stand. Low temperature may weaken the adhesive strength of the tape.
- The supplied stand is specially intended for this product. Do not use it with another television.

3. Secure the stand using the supplied tapping screw (φ 4 x 10mm).

4. After attaching the stand, allow it to sit undisturbed for 24 hours.

#### CAUTION

Take care not to apply any force to the stand during this time.

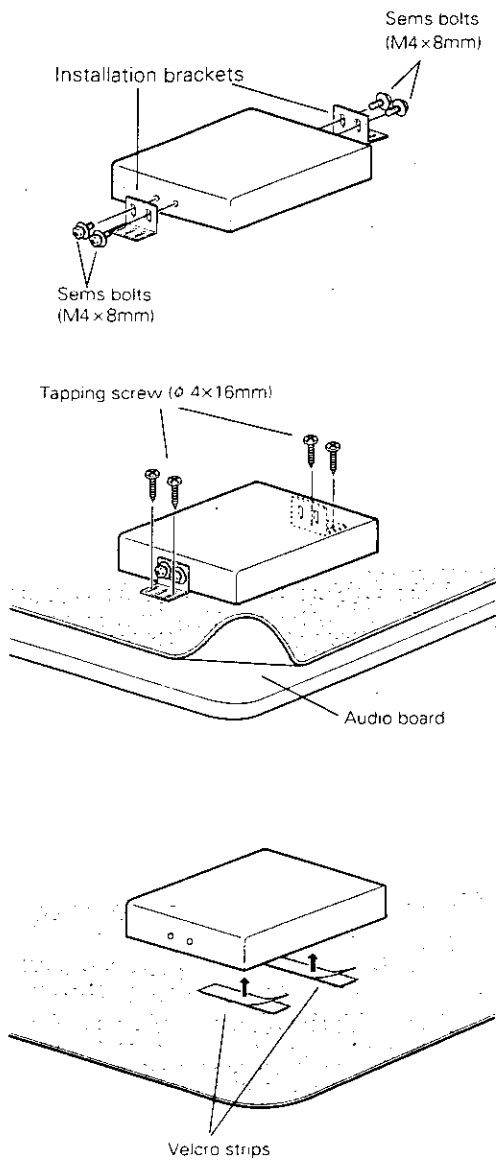
5. Fully loosen the installation screws, align the slit on the rear of the unit with the installation shoe and slide the monitor unit onto the stand.

6. Adjust the height, horizontal angle and vertical angle of the monitor and securely tighten the installation screws.

#### NOTE

You can also adjust the monitor unit's forward position by loosening the angle adjustment knobs and adjusting the angle of the monitor unit's installation stand.

## ■ Installing the Hideaway Unit



## ■ Securing to audio board

1. Attach the installation brackets to the sides of the hideaway unit using the sems bolts (M4 x 8mm).
2. Use the tapping screw (ø 4 x 16mm) to secure the hideaway unit to the audio board.

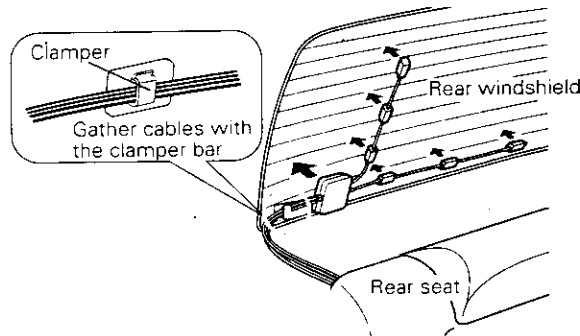
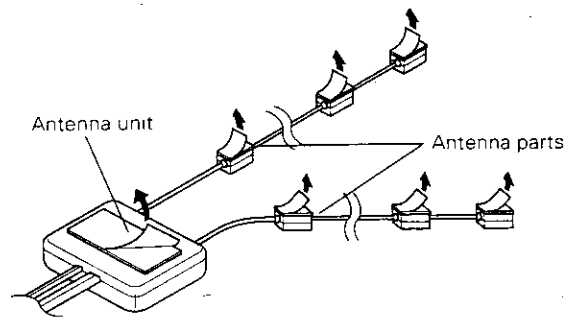
## ■ Securing to pile carpet

Peel the protective strips off of the velcro strips, attach them to the bottom of the hideaway unit, and secure to the pile carpet.

## ■ Installing the TV Antenna

### CAUTION

- Attach the antenna to the inner glass surface of the rear windshield using double-sided tape. Carefully check the installation location as the tape may only be attached once.
- If the surface temperature of the glass of the rear windshield is low, warm it by turning on the power of the rear defogger. Low temperature may weaken the adhesive strength of the double-sided tape. Also perform installation inside the cabin on a day of high humidity such as when it is raining as high humidity may also weaken the adhesive strength of the double-sided tape.
- Do not install the antenna in a location such as the front windshield where it may obstruct the field of view during driving.



1. Check the location where the antenna is to be attached. Clean off any grease or dirt from the installation location using the supplied glass cleaner, clean the area with water and allow to dry.

### CAUTION

Clean the glass thoroughly as failure to clean the glass can not only weaken the adhesive strength of the double-sided tape, but may also cause it to come loose.

2. Remove the protective strips from the antenna parts and the back of the antenna unit.

3. Attach the double-sided tape of the antenna parts and the antenna unit to the rear windshield glass. Attach the double-sided tape by firmly pressing down from the top. Secure cables using the supplied clammers.

4. After attaching the antenna with the double-sided tape, allow it to sit undisturbed for 24 hours. Take care not to apply force to the antenna or allow it to get wet during this time.

5. Wire the antenna cable to the hideaway unit.

## ■ Connecting the Monitor and Hideaway Units

For AV equipment connections, see page 25.

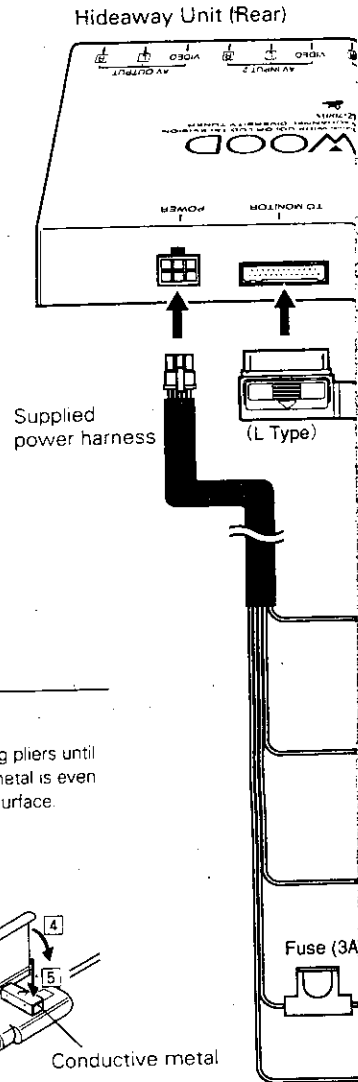
### ⚠ CAUTION

First check that the ignition key is pulled out, and then disconnect the battery cable from the negative terminal of the battery to prevent shorting.

1. Check each set of Input/Output cables and connect.
2. Connect the power cable in the order of ground cable (black), battery power cable (yellow), and accessory power cable (red).
3. Connect the power harness connector to the hideaway unit.
4. After installation, connect the battery cable to the negative battery terminal.
5. Turn on the power and press the reset button.

### ⚠ CAUTION

- If the parking brake detection cable is not connected properly, you will not be able to view any television or video images.
- Placing the hideaway unit at the driver's feet is extremely dangerous as there is a danger of it becoming lodged under the brake pedal. Be sure to place it in a location which will not interfere with driving.
- If a fuse should blow, first check that the cable has not shorted and then replace the fuse with another having the same rating (number of amperes). Use of a fuse having a different rating may result in fire.

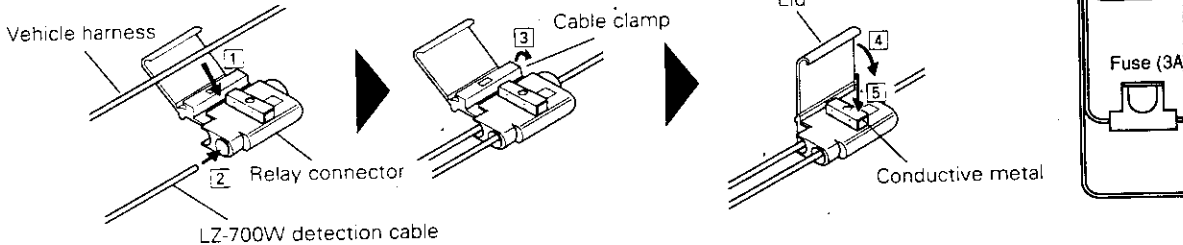


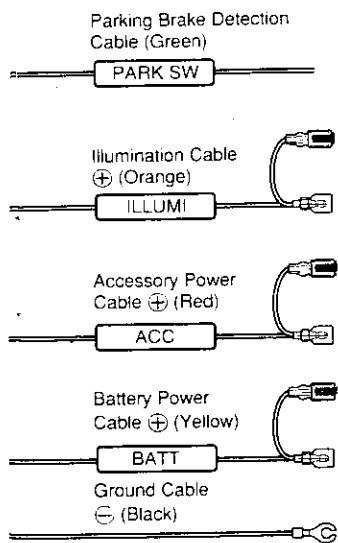
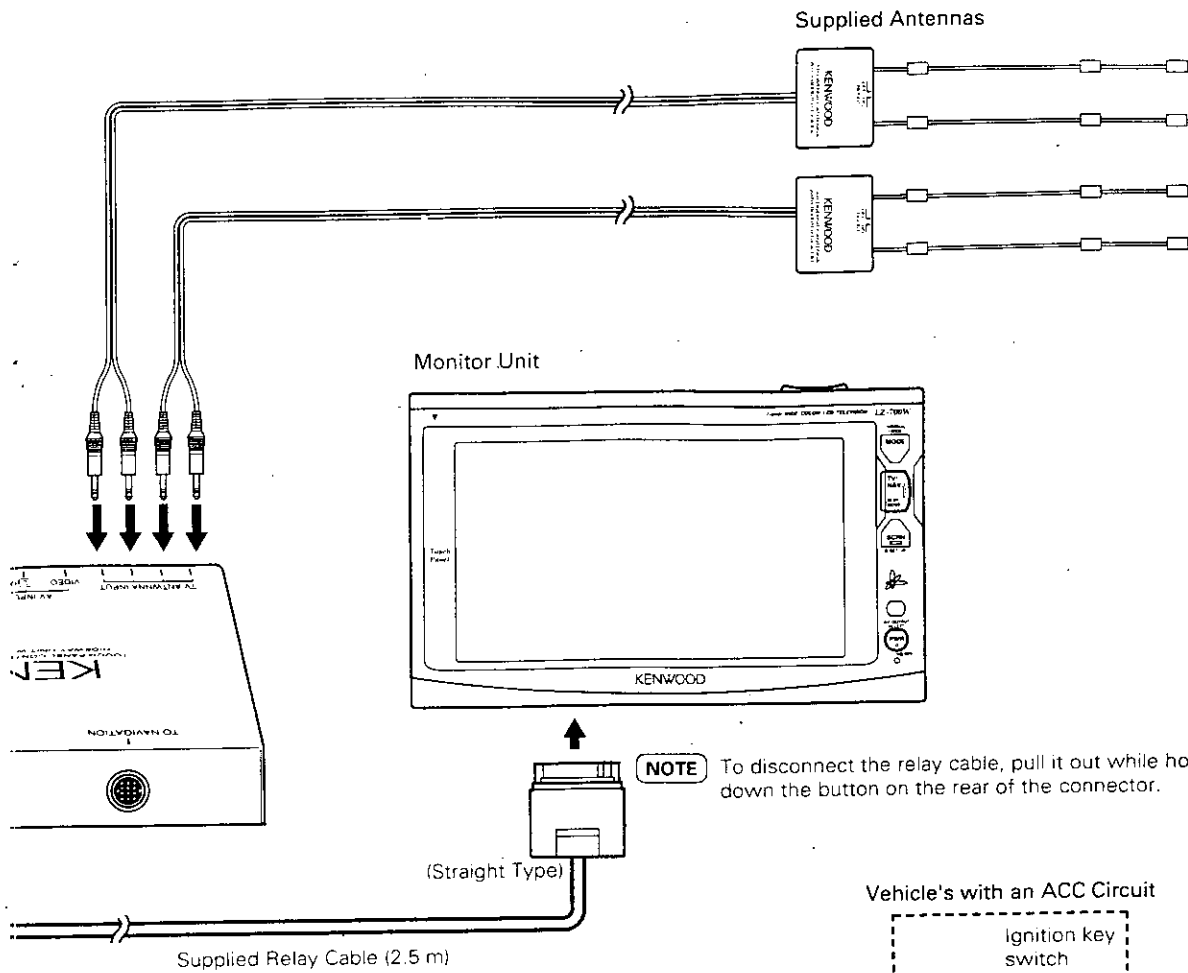
## Using the Relay Connector

- 1 Plug the vehicle's harness into the relay connector.
- 2 Plug the LZ-700W's parking brake detection cable into the relay connector.

- 3 Lock the cable clamp.

- 4 Press down using pliers until the conductive metal is even with the plastic surface.
- 5 Lock the lid.





Connect to the vehicle's parking brake detection switch harness using the supplied relay connector.

Can be connected to the illumination cable of another set. Do not remove the cap if not using this cable.

Connect to power which can be turned on/off by the light switch.

Can be connected to the accessory cable of another set. Do not remove the cap if not using this cable.

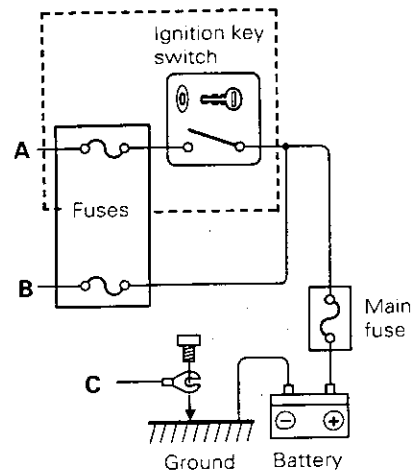
Connect to power which can be turned on/off by the ignition key switch. → **A**

Can be connected to the battery power of another set. Do not remove the cap if not using this cable.

Connect to battery power. → **B**

Connect to a metallic part of the vehicle (part such as the chassis which is conducting negative power). → **C**

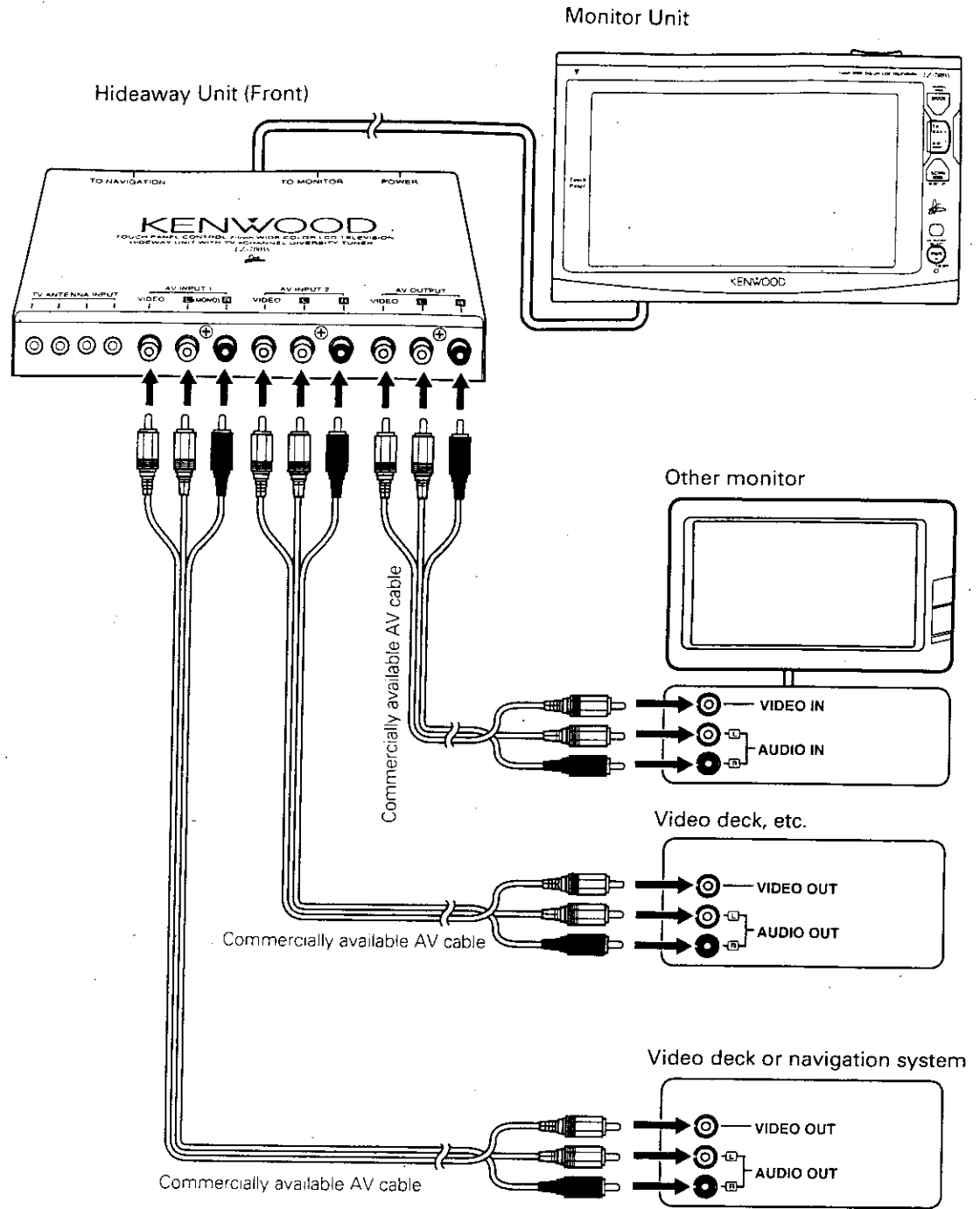
Vehicle's with an ACC Circuit



**CAUTION**

If the ignition key of the vehicle does not have an ACC position, branch from wires which conduct while the ignition is on and connect to the accessory power cable.

# AV Equipment Connections



**NOTE** If the connected equipment uses mono audio, connect to the L-side audio input terminal of AV INPUT 1.

# Specifications

## Monitor Unit

Picture size	7.0 inches wide: 154 (W) × 87 (H) × 176.9 (diagonal) mm 6-1/16 (W) × 3-7/16 (H) inch
Display system	Transparent TN LCD panel
Drive system	TFT active matrix system
Number of pixels	336,960 pixels (480 H × RGB × 234 V)
Effective pixels	99.99%
Pixel arrangement	RGB striped arrangement
Back lighting	CCFL
Speaker audio output	500 mW (ø 36×1)

## Hideaway Unit

Color system	NTSC
Television system	M
Receivable channels (VHF)	Channels 2 to 13
(UHF)	Channels 14 to 69
Channel selection system	PLL frequency synthesizer system Split carrier system
Antenna input	4-ch diversity (75 Ohms/3.5[phi] minijack)
External video input level (RCA jacks)	1 Vp-p/75 Ohms
External audio max. input level (RCA jacks)	1 V/22 KOhms
Video output level (RCA jacks)	1 Vp-p/75 Ohms
Audio output level (RCA jacks)	500 mV/1 KOhms

## Power and Other Specifications

Operating voltage	14.4 V DC (11 to 16 V)
Grounding	Negative ground system
Consumed current	1.5 A (1.0 A during normal operations)
Consumed power	18 W (12 W during normal operations)
Operational temperature range	-10°C to +60°C
Storage temperature range	-30°C to +85°C

## Dimensions and Weight

Monitor Unit	
Dimensions	208 (W) × 127 (H) × 39.3 (D) mm (excluding protruding parts) 8-3/16 (W) × 5 (H) × 1-9/16 (D) inch
Weight	650 g (1.4 LBS)
Hideaway Unit	
Dimensions	188 (W) × 30 (H) × 144.8 (D) mm 7-3/8 (W) × 1-3/16 (H) × 5-11/16 (D) inch
Weight	735 g (1.6 LBS)

## Supplied TV Antenna

Output impedance	(75 Ohms/3.5ø minijack)
Cable length	5 m
Booster gain (when booster is on)	10 dB (VHF band) 6 dB (UHF band)
Cable loss	2±1 dB (VHF band) 4±1 dB (VHF band)
Supply voltage	14.4 V DC (11 to 16 V)
Grounding	Negative ground system
Consumed current	1.0 A (1.0 A during normal operations)
Consumed power	1 W or less
Dimensions	50 (W) × 14.5 (H) × 500 (D) mm 1-15/16 (W) × 9/16 (H) × 19-11/16 (D) inch
Weight	70 g (0.1 LBS) (excluding one main unit cable) × 2

- \* With technological developments, these specifications and design are subject to change without notice.
- \* Although the effective pixels for the liquid crystal panel is given as 99.99% or more, 0.01% of pixels may not light or may light incorrectly.